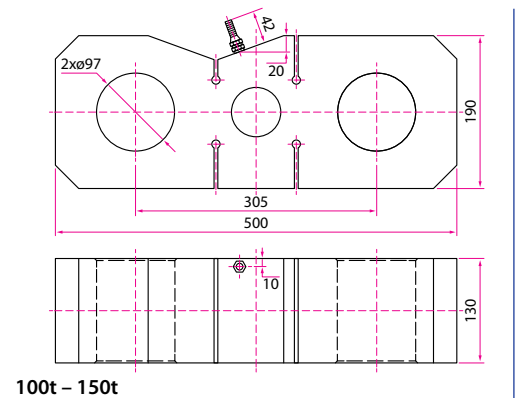
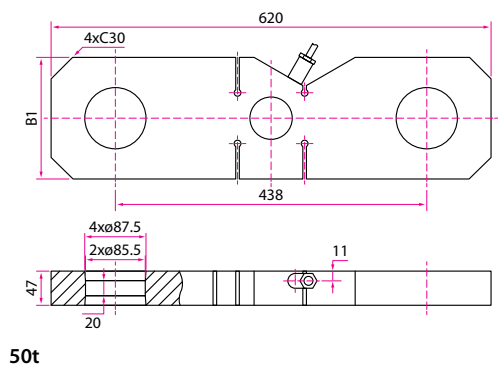
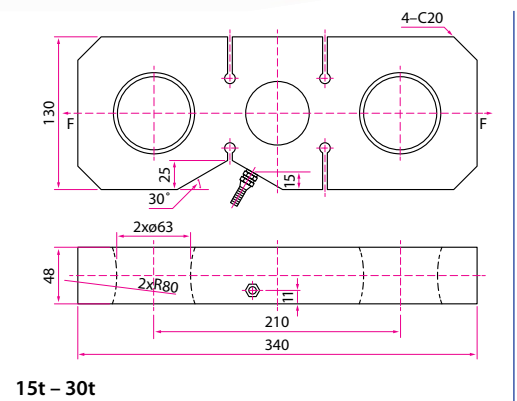
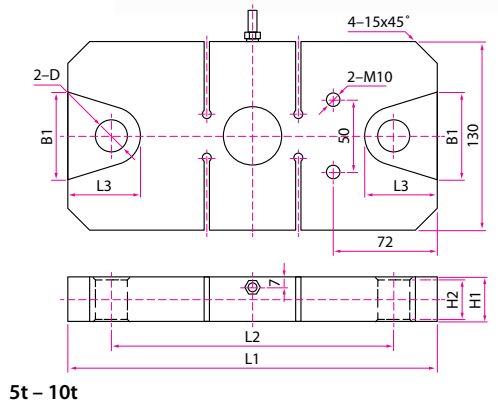
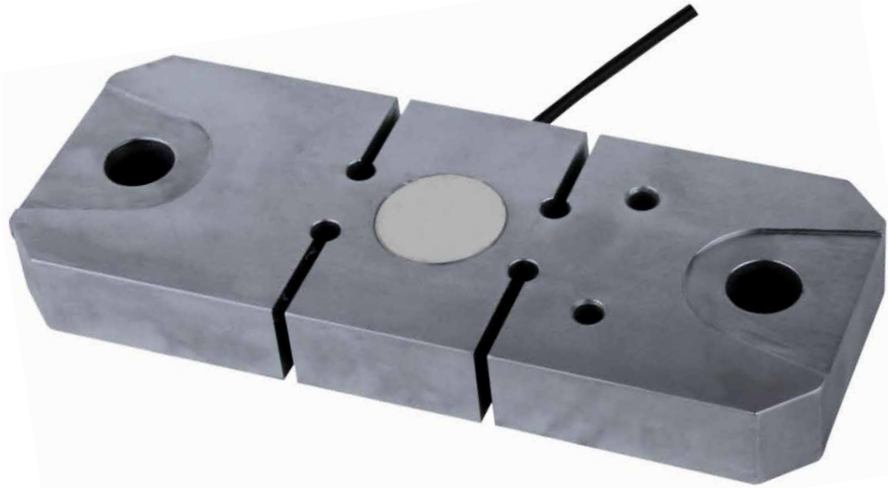


TLG – General Tension Loadcell



For capacities and configurations not featured in this brochure, please contact MTC representatives.

Model	L1 (mm)	L2 (mm)	L3 (mm)	H1 (mm)	H2 (mm)	B1 (mm)	D (mm)	L4 (mm)
TLG5	255	201	50	30	28	60	ø22	72
TLG10	295	215	70	40	38	84	ø28	92

TECHNICAL PARAMETER

Rated Capacities (E _{max})	15, 20t	Safe Load Limit	150%F.S.
Output Signal	4~19.8mA	Lateral Load Limit	300%F.S.
Total Error	±0.2%F.S.	Excitation, Recommended	15 ~ 24V DC
Creep Error (30 min)	±0.05%F.S.	Excitation, Maximum	24V DC
Zero Balance	±1%F.S.	Protection Class	IP67
TC ZERO	±0.01%F.S./10°C	Construction	Alloy Steel / Stainless Steel
TC SPAN	±0.01%F.S./10°C	Cable Length	12m
Insulation Resistance	≥2000MΩ	Cable Diameter	ø 6mm
Temperature Range (Operating)	-10°C ~ +40°C		

4 Wires
Exc+(Red); Exc-(Black);
Sig+(Green); Sig-(White)