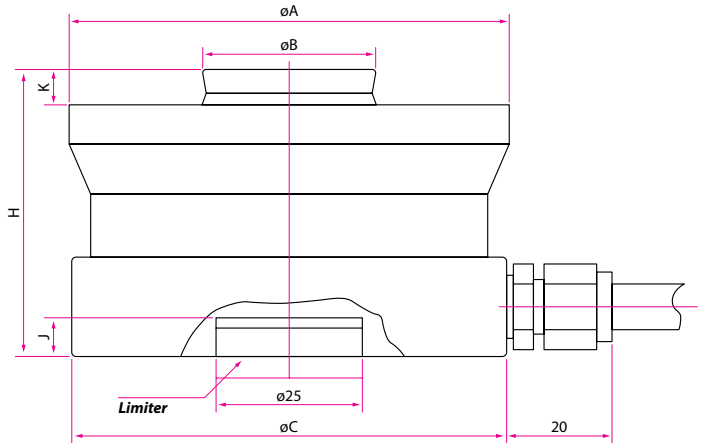


CLS – Spoke Type Loadcell



Model	Capacity (t)	A (mm)	B (mm)	C (mm)	D (mm)	H (mm)	K (mm)	J (mm)
CLS1	1	ø54	ø20	ø60	ø53	43	7.5	–
CLS2.2	2.2	ø54	ø20	ø60	ø53	43	7.5	–
CLS3.3	3.3	ø54	ø20	ø60	ø53	43	7.5	–
CLS4.7	4.7	ø54	ø20	ø60	ø53	43	7.5	–
CLS10	10	ø75	ø30	ø75	–	50	6.5	7
CLS15	15	ø75	ø30	ø75	–	50	6.5	7
CLS22	22	ø75	ø30	ø75	–	50	6.5	7
CLS33	33	ø95	ø40	ø95	–	65	10	7
CLS47	47	ø130	ø60	ø130	–	75	14	7
CLS68	68	ø130	ø60	ø130	–	85	14	7
CLS100	100	ø150	ø70	ø150	–	90	16	7
CLS150	150	ø150	ø70	ø150	–	100	16	7
CLS220	220	ø225	ø100	ø225	–	130	24	10
CLS330	330	ø225	ø100	ø225	–	145	24	10
CLS470	470	ø270	ø120	ø270	–	170	28	10

For capacities and configurations not featured in this brochure, please contact MTC representatives.

TECHNICAL PARAMETER

Rated Capacities (E _{max})	1, 2.2, 3.3, 4.7, 10, 15, 22, 33, 47, 68, 100, 150, 220, 330, 470t	Temperature Range (Compensated)	–10°C ~ +40°C
Sensitivity	2.85±0.015mV/V	Temperature Range (Operating)	–30°C ~ +70°C
Total Error	±0.03%; ±0.05%; ±0.1%F.S.	Maximum Safe Overload	150%F.S.
Creep Error (30 min)	±0.03%F.S.	Ultimate Overload	200%F.S.
Zero Balance	±1%F.S.	Excitation, Recommended	10 ~ 12V DC
TC ZERO	±0.03%F.S./10°C	Excitation, Maximum	15V DC
TC SPAN	±0.03%F.S./10°C	Protection Class	IP68
Input Resistance	1450±10Ω	Construction	Alloy Steel / Stainless Steel
Output Resistance	1402±5Ω (L≥15m)	Cable Length	8m(1~4.7t), 12m(10~33t), 16m(47~470t)
Insulation Resistance	≥5000MΩ	Cable Diameter	ø 6mm

OAP version 4 Wires:
Exc+(Red); Exc-(Black);
Sig+(Green); Sig-(White)